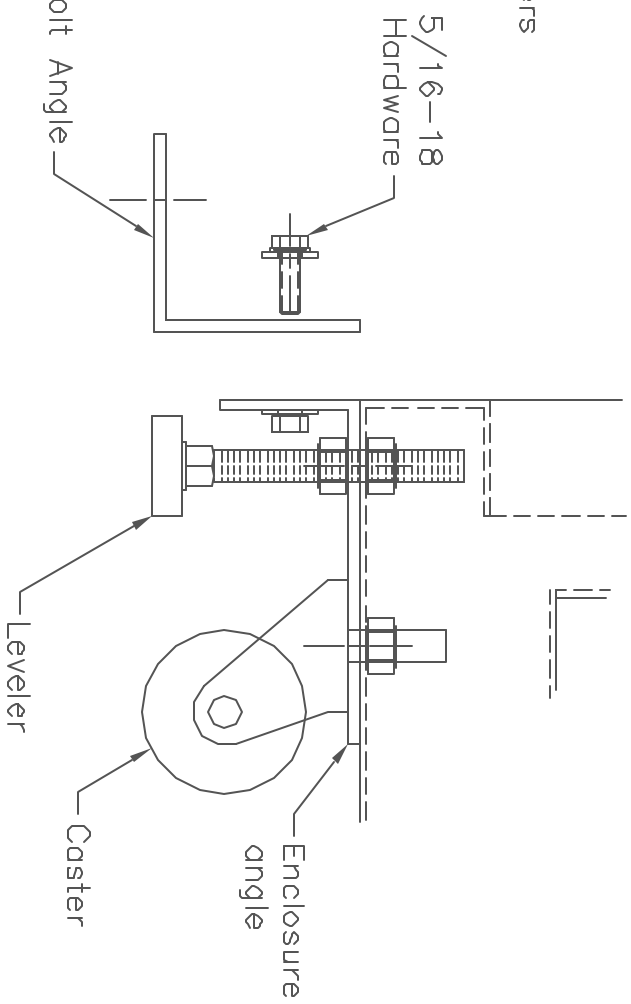
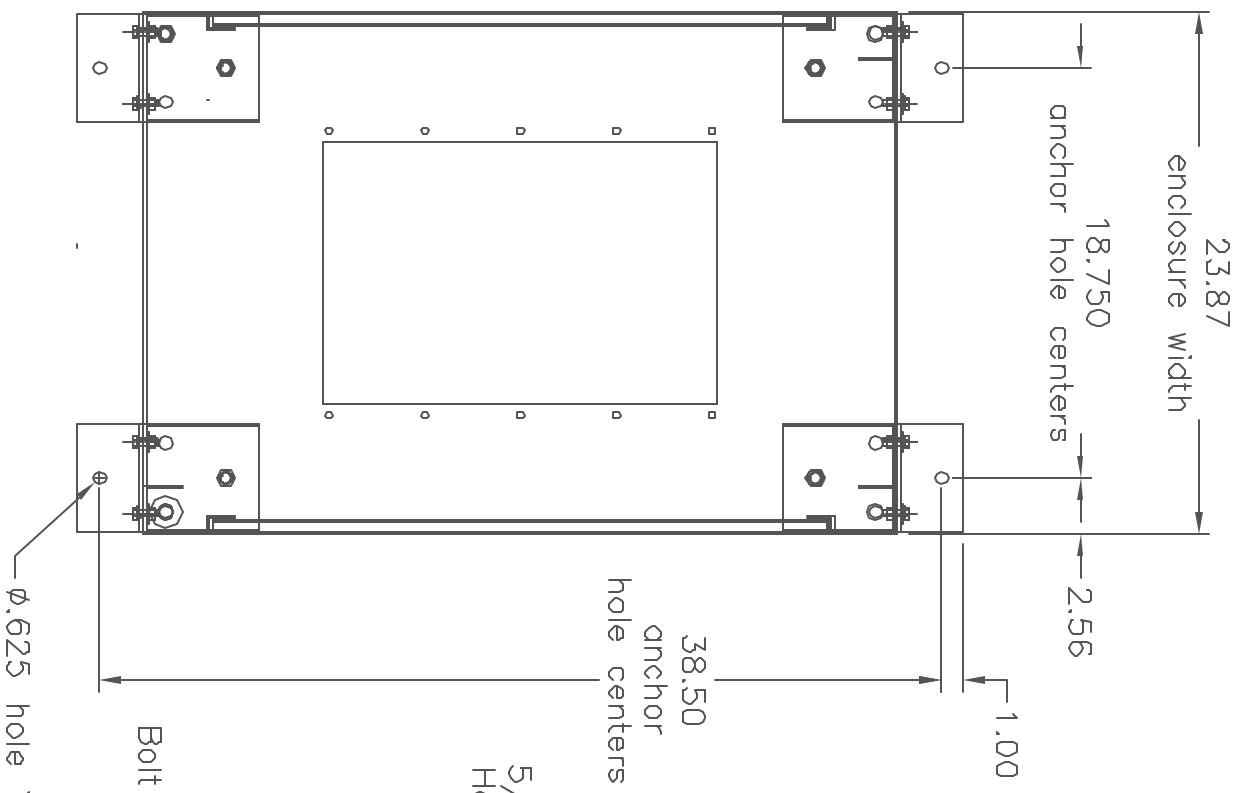


Net-Station Bolt Down Assy.

- 1) The enclosure angle is pre assembled to the enclosure, when purchased together, via the caster and leveler attachment. If not, remove casters and levelers, insert enclosure angles as illustrated and reinstall casters and levelers at all four corners.
- 2) Attach Bolt angle with 5/16-18 hardware until finger tight. Position the enclosure over the prepared floor anchors, and level the enclosure, relieving the weight from the casters.
- 3) Tighten the leveler jamb nut and ensure the caster nut is secure. Apply and tighten anchors and tighten all 5/16-18 hardware at Bolt angle to Enclosure angle connection.

Kit DOES NOT include anchors.



NSBDL Bolting Pattern fits NS30, NS40, and NS80 without anti-tip legs

ITS ENCLOSURES

MODEL NSBDL

NET STATION Bolt Down Assy.

ITS-2897

1-800-423-9911

INTEGRATION TECHNOLOGY SYSTEMS, INC.